

CCS Technical Documentation

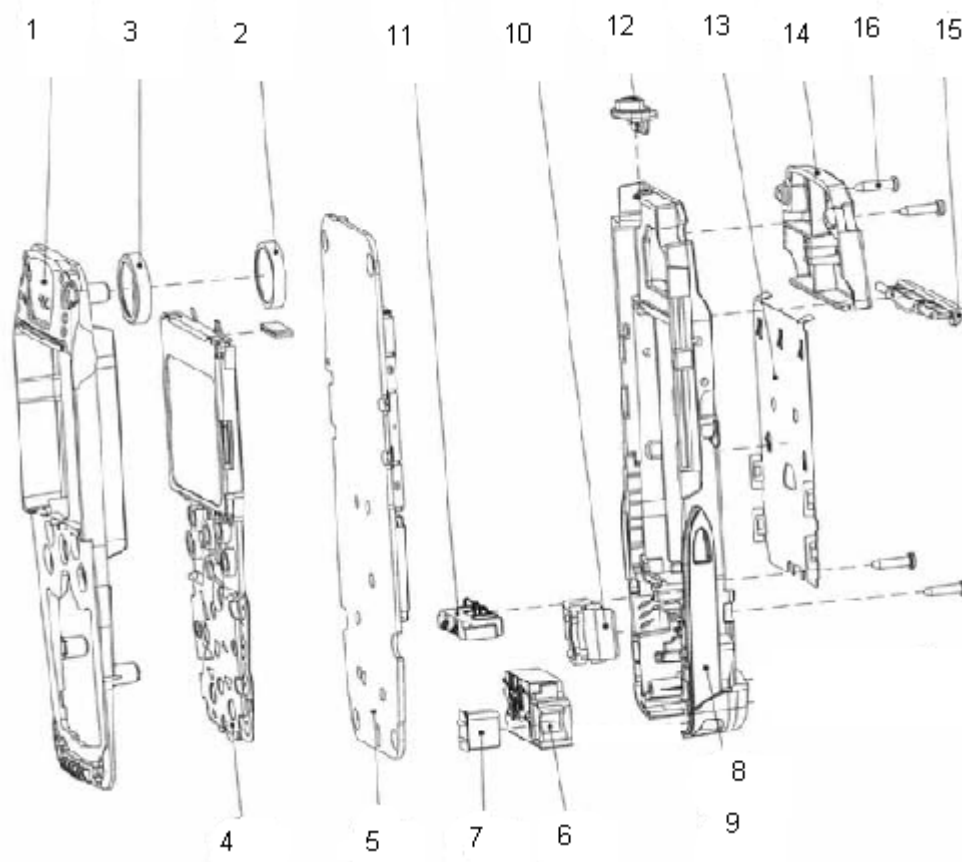
RH-42 Series Transceivers

Parts Lists

Contents

	Page No
Exploded View.....	5
Assembly Parts of Basic Transceiver RH-42	5
Component Layout — Top (left)	7
Component Layout — Top (right)	7
Component Layout — Bottom	8
Parts Lists.....	9
RH-42 (2220) — EDMS Issue 4.1 Code: 0202140 (Manaus)	9
RH-42 (2220) — EDMS Issue 3.0 Code: 0202141 (Reynosa)	16

Exploded View

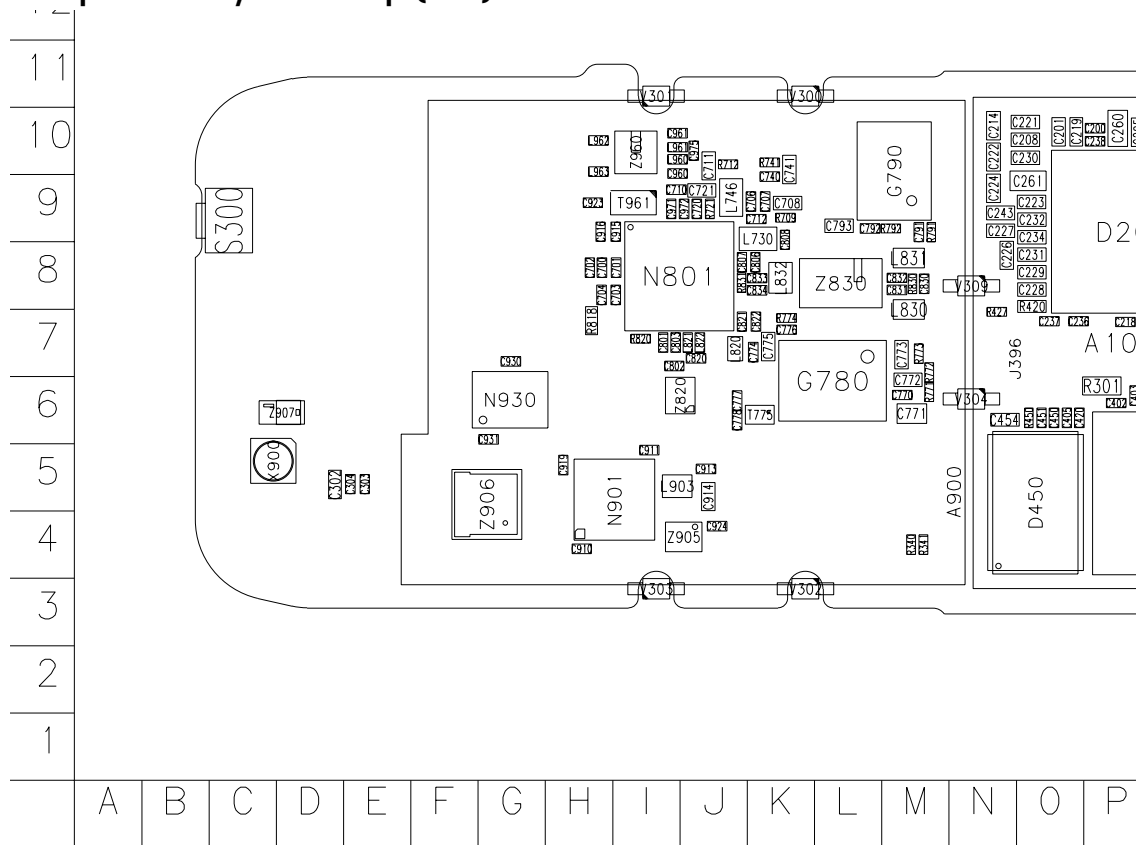


Assembly Parts of Basic Transceiver RH-42

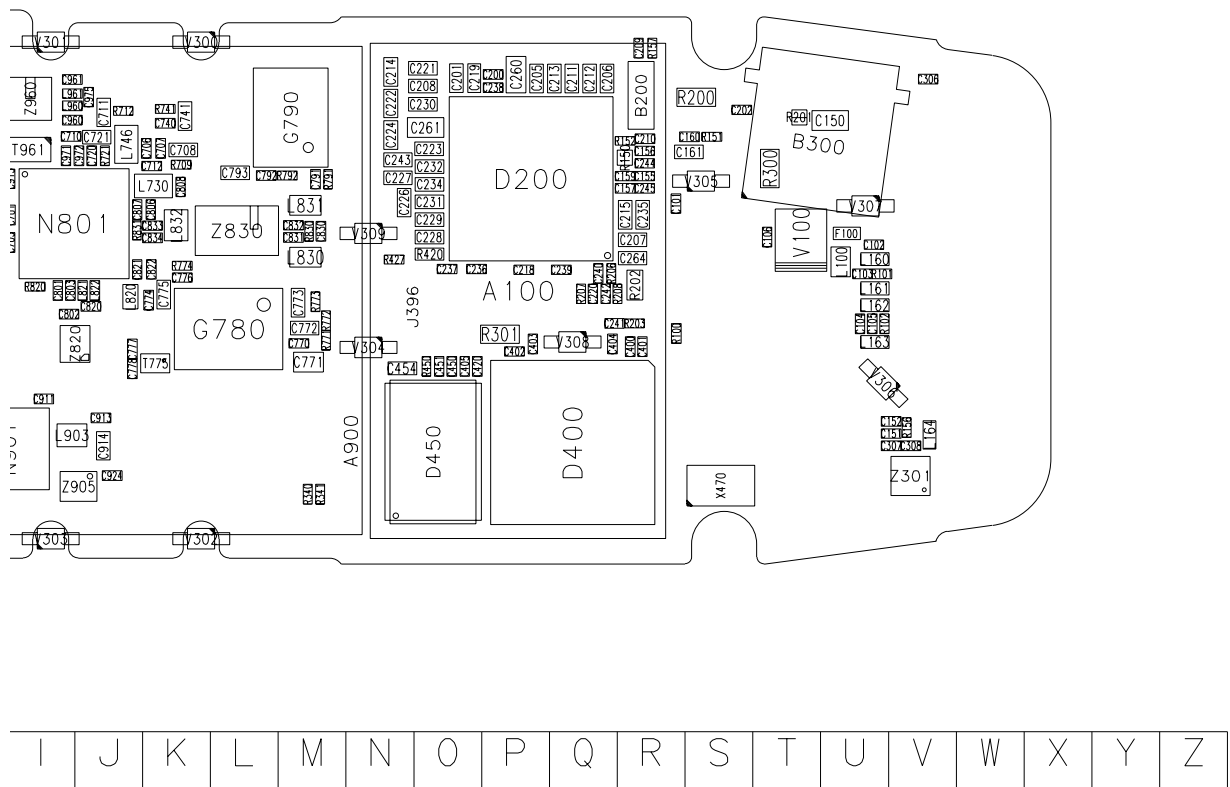
Item	Qty	Code	Description
1	1	9491481	C-cover Assembly
2	1	5140067	Speaker
3	1	9480570	Speaker gasket
4	1	4850139	LCD module Assembly
5	1	0202141 0202140	PWB: Reynosa Manaus
	1	6800049	Vibra motor Assembly
6	1	5460043	System connector Assembly
7	1	5140201	Microphone Assembly
8	1	9490104	D-cover Assembly
9	1	9451702	D-cover
10	1	5140203	Buzzer Assembly

Item	Qty	Code	Description
11	1	5409143	Battery connector
12	1	9451703	Power Button/IR-WINDOW
13	1	9510561	Metal deck
14	1	0660221	Antenna Assembly
15	1	9451706	Battery latch
16	4	6290093	Screws

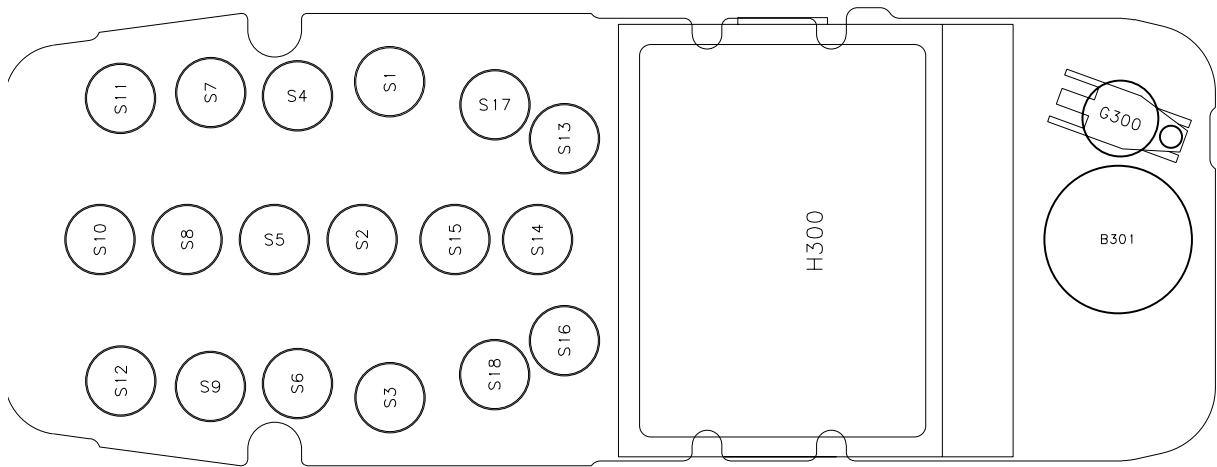
Component Layout – Top (left)



Component Layout – Top (right)



Component Layout – Bottom



W	V	U	T	S	R	Q	P	O	N	M	L	K	J	I	H	G	F	E	D	C	I
---	---	---	---	---	---	---	---	---	---	---	---	---	---	---	---	---	---	---	---	---	---

Parts Lists

RH-42 (2220) – EDMS Issue 4.1 Code: 0202140 (Manaus)

Item	Code	Side	X	Y	Description	Value	Type
R100	1825133	Top	R	6	var chip	14V/50V	0402
R101	1825133	Top	U	7	var chip	14V/50V	0402
R102	1825133	Top	U	7	var chip	14V/50V	0402
R150	1620031	Top	R	9	res network	0W06 2X1K0 J	0404
R151	1430778	Top	S	9	chip res	0W06 10K J	0402
R152	1430788	Top	R	9	chip res	0W06 22K J	0402
R156	1430762	Top	V	5	chip res	0W06 2K2 J	0402
R157	1430710	Top	R	11	chip res	0W06 22R J	0402
R200	1414605	Top	S	10	chip res	0W25 0R22 J	0805
R201	1620103	Top	T	10	res network	0W06 2X22R J	0404
R202	1620043	Top	R	7	chip res	0W06 100K J	0402
R203	1430804	Top	R	7	chip res	0W06 100K J	0603
R206	1430770	Top	Q	7	chip res	0W06 100K J	0402
R207	1430770	Top	Q	7	chip res	0W06 100K J	0402
R208	1430804	Top	R	7	resistor	100k	0402
R300	1411669	Top	T	9	chip res	0W1 22R J	0805
R301	1413829	Top	P	6	chip res	0W1 10R J	0805
R420	1430268	Top	O	8	chip res	0W06 27K F 100PPM	0603
R427	1430778	Top	N	7	chip res	0W06 10K J	0402
R450	1430770	Top	O	6	chip res	0W06 4K7 J	0402
R709	1430700	Top	K	9	chip res	0W06 10R J	0402
R712	1430700	Top	J	10	chip res	0W06 10R J	0402
R721	1430796	Top	J	9	chip res	0W06 6K8 J	0402
R741	1430796	Top	K	10	chip res	0W06 4K7 J	0402
R771	1430786	Top	M	6	chip res	0W06 18K J	0402
R772	1430726	Top	M	7	chip res	0W06 100R J	0402
R773	1430700	Top	M	7	chip res	0W06 10R J	0402
R774	1430700	Top	k	7	chip res	0W06 10R J	0402
R791	1430778	Top	M	9	chip res	0W06 10K J	0402

Item	Code	Side	X	Y	Description	Value	Type
R792	1430700	Top	M	9	chip res	0W06 10R J	0402
R818	1430268	Top	H	7	chip res	0W06 27K F 100PPM	0603
R820	1430740	Top	I	7	resistor	330R	0402
R830	1430832	Top	M	8	chip res	0W06 2K7 J	0402
R831	1430734	Top	J	8	chip res	0W06 220R J	0402
C101	2320536	Top	R	8	chip cap NPO	10P J 50V	0402
C102	2320756	Top	U	8	chip cap X7R	3N3 K 50V	0402
C103	2320756	Top	U	7	chip cap X7R	3N3 K 50V	0402
C104	2320756	Top	U	7	chip cap X7R	3N3 K 50V	0402
C105	2320756	Top	U	7	chip cap X7R	3N3 K 50V	0402
C106	2320744	Top	T	8	chip cap X7R	1N0 K 50V	0402
C150	2312243	Top	U	10	chip cap X5R	4U7 K 6V3	0805
C151	2320783	Top	V	5	chip cap X7R	33N K 10V	0402
C152	2320783	Top	V	5	chip cap X7R	33N K 10V	0402
C155	2320783	Top	R	9	chip cap X7R	33N K 10V	0402
C156	2320783	Top	R	9	chip cap X7R	33N K 10V	0402
C157	2320560	Top	R	9	chip cap NPO	100P J 50V	0402
C159	2320560	Top	R	9	chip cap NPO	100P J 50V	0402
C160	2320744	Top	S	9	chip cap X7R	1N0 K 50V	0402
C161	2320481	Top	S	9	chip cap X5R	1U K 6V3	0603
C200	2320805	Top	P	10	chip cap	100N 10V	0402
C201	2320481	Top	O	10	chip cap X5R	1U K 6V3	0603
C202	2320778	Top	S	10	chip cap NPO	33P J 50V	0402
C205	2320481	Top	P	10	chip cap X5R	1U K 6V3	0603
C206	2320481	Top	Q	10	chip cap X5R	1U K 6V3	0603
C207	2320481	Top	R	8	chip cap X5R	1U K 6V3	0603
C208	2320481	Top	O	10	chip cap X5R	1U K 6V3	0603
C209	2320536	Top	R	11	chip cap	10P 50V	0402
C210	2320536	Top	R	9	chip cap	10P 50V	0402
C211	2320481	Top	Q	10	chip cap X5R	1U K 6V3	0603
C212	2320481	Top	Q	10	chip cap X5R	1U K 6V3	0603
C213	2320481	Top	Q	10	chip cap X5R	1U K 6V3	0603

Item	Code	Side	X	Y	Description	Value	Type
C214	2320481	Top	N	10	chip cap	1U0 6.3V	0603
C215	2320481	Top	R	8	chip cap X5R	1U K 6V3	0603
C218	2320805	Top	P	7	chip cap X5R	100N K 10V	0402
C219	2320139	Top	O	10	chip cap X5R	1U0 K 10V	0603
C220	2320778	Top	Q	7	chip cap X7R	1N0 K 50V	0402
C221	2320481	Top	O	10	chip cap X5R	1U0 6.3V	0603
C222	2320481	Top	N	10	chip cap X5R	1U0 6.3V	0603
C223	2320481	Top	O	9	chip cap X5R	1U0 6.3V	0603
C224	2320481	Top	N	9	chip cap X5R	1U0 6.3V	0603
C226	2320481	Top	N	8	chip cap X5R	1U0 6.3V	0603
C227	2320481	Top	N	9	chip cap	1U0 6.3V	0603
C228	2320481	Top	O	8	chip cap X5R	1U0 6.3V	0603
C229	2320481	Top	O	8	chip cap X5R	1U0 6.3V	0603
C230	2320481	Top	O	10	chip cap X5R	1U0 6.3V	0603
C231	2320481	Top	O	8	chip cap X5R	1U0 6.3V	0603
C232	2320481	Top	O	9	chip cap X5R	1U0 6.3V	0603
C234	2320481	Top	O	9	chip cap X5R	1U0 6.3V	0603
C235	2320481	Top	R	8	chip cap X5R	1U0 6.3V	0603
C236	2320805	Top	O	7	chip cap X5R	100N K 10V	0402
C237	2320805	Top	O	7	chip cap X5R	100N K 10V	0402
C238	2320805	Top	P	10	chip cap X7R	220N K 10V	0603
C239	2320805	Top	Q	7	chip cap X5R	100N K 10V	0402
C240	2320778	Top	Q	7	chip cap	10N 16V	0402
C241	2320744	Top	Q	7	chip cap NPO	22P J 50V	0402
C242	2320744	Top	Q	7	chip cap NPO	22P J 50V	0402
C243	2320481	Top	N	9	chip cap	1U0 6.3V	0603
C244	2320544	Top	R	9	chip cap	22P 50V	0402
C245	2320544	Top	R	9	chip cap	22P 50V	0402
C260	2312249	Top	P	10	chip cap	4U7 10V	0805
C261	2312249	Top	O	9	chip cap X5R	4U7 K 6V3	0805
C264	2320139	Top	R	7	chip cap X5R	1U K 6V3	0603
C302	2320779	Top	D	5	chip cap X7R	100N K 16V	0603

Item	Code	Side	X	Y	Description	Value	Type
C303	2320805	Top	E	5	chip cap X5R	100N K 10V	0402
C304	2320805	Top	E	5	chip cap X5R	100N K 10V	0402
C306	2320560	Top	V	10	chip cap NPO	100P J 50V	0402
C307	2320548	Top	V	5	chip cap	33P 50V	0402
C308	2320560	Top	V	5	chip cap	100P 50V	0402
C400	2320778	Top	R	6	chip cap X7R	10N K 16V	0402
C401	2320805	Top	R	6	chip cap X5R	100N K 10V	0402
C402	2320778	Top	P	6	chip cap X7R	10N K 16V	0402
C403	2320778	Top	P	6	chip cap X7R	10N K 16V	0402
C404	2320778	Top	Q	6	chip cap X7R	10N K 16V	0402
C405	2320778	Top	O	6	chip cap X7R	10N K 16V	0402
C420	2320744	Top	O	6	chip cap X7R	1N0 K 50V	0402
C450	2320778	Top	O	6	chip cap X7R	10N K 16V	0402
C451	2320805	Top	O	6	chip cap X5R	100N K 10V	0402
C454	2320779	Top	N	6	chip cap X7R	100N K 16V	0603
C700	2320552	Top	H	8	chip cap NPO	47P J 50V	0402
C701	2320536	Top	I	8	chip cap NPO	10P J 50V	0402
C702	2320805	Top	H	8	chip cap X5R	100N K 10V	0402
C703	2320536	Top	I	8	chip cap NPO	10P J 50V	0402
C704	2320805	Top	H	8	chip cap X5R	100N K 10V	0402
C706	2320552	Top	K	9	chip cap NPO	47P J 50V	0402
C707	2320744	Top	K	9	chip cap X7R	1N0 K 50V	0402
C708	2320481	Top	K	9	chip cap X5R	1U K 6V3	0603
C710	2320740	Top	I	9	chip cap X7R	680P K 50V	0402
C711	2320481	Top	J	10	chip cap X5R	1U K 6V3	0603
C712	2320552	Top	K	9	chip cap NPO	47P J 50V	0402
C720	2320564	Top	J	9	chip cap X7R	1N5 J 50V	0402
C721	2322023	Top	J	9	chip cap X7R	33N K 10V	0402
C740	2320564	Top	K	9	chip cap X7R	1N8 J 50V	0402
C741	2322023	Top	K	10	chip cap X7R	33N K 10V	0402
C770	2320580	Top	M	6	chip cap X7R	680P J 50V	0402
C771	2480003	Top	M	6	chip cap PPS	8N2 J 16V	0805

Item	Code	Side	X	Y	Description	Value	Type
C772	2320495	Top	M	6	chip cap NPO	1N0 J 50V	0603
C773	2320466	Top	M	7	chip cap NPO	220P J 60V	0603
C774	2320536	Top	K	7	chip cap NPO	10P J 50V	0402
C775	2320481	Top	K	7	chip cap X5R	1U K 6V3	0603
C776	2320778	Top	K	7	chip cap X7R	10N K 16V	0402
C777	2320536	Top	J	6	chip cap	10P 50V	0402
C778	2320536	Top	J	6	chip cap	10P 50V	0402
C791	2320805	Top	M	9	chip cap X5R	100N K 10V	0402
C792	2320778	Top	L	9	chip cap X7R	10N K 16V	0402
C793	2320481	Top	L	9	chip cap X5R	1U K 6V3	0603
C801	2320552	Top	I	7	chip cap NPO	47P J 50V	0402
C802	2320778	Top	I	7	chip cap X7R	10N K 16V	0402
C803	2320536	Top	I	7	chip cap NPO	10P J 50V	0402
C806	2320552	Top	K	8	chip cap NPO	47P J 50V	0402
C807	2320536	Top	J	8	chip cap NPO	10P J 50V	0402
C808	2320805	Top	K	9	chip cap X5R	100N K 10V	0402
C820	2320552	Top	J	7	chip cap NPO	47P J 50V	0402
C821	2320552	Top	J	7	chip cap NPO	47P J 50V	0402
C822	2320805	Top	K	7	chip cap X5R	100N K 10V	0402
C830	2320778	Top	M	8	chip cap X7R	10N K 16V	0402
C831	2320602	Top	M	8	chip cap NPO	4P7 C 50V	0402
C832	2320602	Top	M	8	chip cap NPO	4P7 C 50V	0402
C833	2320536	Top	K	8	chip cap NPO	10P J 50V	0402
C834	2320536	Top	K	8	chip cap NPO	10P J 50V	0402
C910	2320744	Top	H	4	chip cap X7R	1N0 K 50V	0402
C911	2320778	Top	I	5	chip cap X7R	10N K 16V	0402
C913	2320560	Top	J	5	chip cap	100P 50V	0402
C914	2320481	Top	J	5	chip cap X5R	1U K 6V3	0603
C915	2320536	Top	I	9	chip cap NPO	10P J 50V	0402
C916	2320805	Top	H	9	chip cap X5R	100N K 10V	0402
C919	2320508	Top	H	5	chip cap	1P0 50V	0402
C923	2320604	Top	H	9	chip cap	18P 50V	0402

Item	Code	Side	X	Y	Description	Value	Type
C924	2320604	Top	J	4	chip cap	18P 50V	0402
C930	2320536	Top	G	7	chip cap NPO	10P J 50V	0402
C931	2320744	Top	G	6	chip cap X7R	1N0 K 50V	0402
C960	2320536	Top	I	10	chip cap NPO	1P0 C 50V	0402
C961	2320536	Top	I	10	chip cap NPO	2P7 C 50V	0402
C971	2320536	Top	I	9	chip cap NPO	10P J 50V	0402
C972	2320805	Top	J	9	chip cap X5R	100N K 10V	0402
C975	2320560	Top	J	10	chip cap	100P 50V	0402
L100	3203743	Top	U	7	ferrite bead OR03	42R/100MHz 3A	0805
L160	3203741	Top	U	7	ferrite bead OR5	600R/100MHz	0603
L161	3203741	Top	U	7	ferrite bead OR5	600R/100MHz	0603
L162	3203741	Top	U	7	ferrite bead OR5	600R/100MHz	0603
L163	3203741	Top	U	6	ferrite bead OR5	600R/100MHz	0603
L164	3203741	Top	V	5	ferrite bead OR5	600R/100MHz	0603
L730	3645093	Top	K	9	chip coil 36 N G	Q55/500MHz	0603
L746	3645091	Top	J	9	chip coil 22N G	Q55/500MHz	0603
L820	3645211	Top	J	7	chip coil 6N8 K	Q27/250MHz	0603
L821	3646069	Top	J	7	chip coil 33N J	Q23/800MHz	0402
L822	3646063	Top	J	7	chip coil 22N J	Q28/800MHz	0402
L830	3643087	Top	M	7	chip coil 180N J	Q13/50MHz	0805
L831	3643087	Top	M	8	chip coil 180N J	Q13/50MHz	0805
L832	3645067	Top	K	8	chip coil 330N J	Q48/250MHz	0805
L903	3643085	Top	I	5	chip coil 5N6+-0N5	Q35 1.5A	0805
L960	3646083	Top	I	10	chip coil 100N J	Q16/300MHz	0402
L961	3646083	Top	I	10	chip coil 100N J	Q16/300MHz	0402
L962	3646083	Top	H	10	chip coil 100N J	Q16/300MHz	0402
L963	3646083	Top	H	10	chip coil 100N J	Q16/300MHz	0402
V100	4110028	Top	T	8	TVS DI 16V	600W 23A	DO214AA
V300	4860221	Top	K	11	LED M47CN2Q135 Blue	>45 MCD	TOPLED
V301	4860221	Top	I	11	LED M47CN2Q135 Blue	>45 MCD	TOPLED
V302	4860221	Top	K	3	LED M47CN2Q135 Blue	>45 MCD	TOPLED
V303	4860221	Top	I	3	LED M47CN2Q135 Blue	>45 MCD	TOPLED

Item	Code	Side	X	Y	Description	Value	Type
V304	4860221	Top	N	6	LED M47CN2Q135 Blue	>45 MCD	TOPLED
V305	4860221	Top	S	9	LED M47CN2Q135 Blue	>45 MCD	TOPLED
V306	4860221	Top	U	6	LED M47CN2Q135 Blue	>45 MCD	TOPLED
V308	4860221	Top	Q	6	LED M47CN2Q135 Blue	>45 MCD	TOPLED
V309	4860221	Top	N	8	LED M47CN2Q135 Blue	>45 MCD	TOPLED
N801	4370915	Top	I	8	Taco 3.1 TZC8CRTT		TFBGA108
N901	4350401	Top	I	5	Pw Amp	RF9270	TDMA
N930	4350407	Top	G	6	Pwr Detector Module	800MHz	2.7V
D200	4370825	Top	P	9	UEMK W-DOG ENA	T021	TFBGA168
D400	4370811	Top	Q	5	UPP V2.4 F741809C	C05 ANAM	UBG
D450	4341439	Top	O	5	Flash 1MX16	1.8V/1.8V	TFGBA48
G780	4350279	Top	L	6	VCO 2GHz	2.78V 10.5MA	TDMA
G790	4510307	Top	M	10	VCTCXO 19.44MHz+-	2.5PPM 2.78V	
B200	4510303	Top	R	10	Crystal 32.768KHz+-	20PPM 12.5PF	
Z301	4120031	Top	V	4	EMI/ESD Filt	EMIF10-1K010F1	BGA24
Z820	4510357	Top	J	6	Saw Filt 881.5+- 12.5MHz/	3DB	2.5X2
Z830	4511351	Top	L	8	Saw Filt 135.54+-	0.013MHz/	6X3.5MM
Z905	4511357	Top	J	4	Saw Filt 836.5+-	12.5MHz/3.0	2.5X2
Z906	4512173	Top	G	5	Dupl 824-849/	869-894MHz	5X5X1.7
Z907	4550117	Top	D	6	Dipl 824-894/1850-	1990MHz	3.2X1.6
Z960	4511353	Top	I	10	Saw Filt 180.54+-	0.015MHz	3X3MM
T775	4550153	Top	K	6	Transf Balun 2060+-	70MHz	2.0X1.25
T961	4550247	Top	I	9	Transf Balun 1:4	836MHz	1.8X3.4
F100	5119019	Top	U	8	Sm Fuse F	1.5A 32V	0603
S300	5209001	Top	C	9	Sm SW Tact SPST	12V 50MA	Side Key
X900	5429021	Top	C	5	Sm Conn RF+SW	100V 1W 50R	2.2GHz
A100	9510612	Top	P	7	Baseband Shield	DMD06548	HDA62_72
A900	9517071	Top	J	7	RF Shield Assy	DMC02311	HDA62_72

RH-42 (2220) – EDMS Issue 3.0 Code: 0202141 (Reynosa)

Item	Code	Side	X	Y	Description	Value	Type
R100	1825133	Top	R	6	var chip	14V/50V	0402
R101	1825133	Top	U	7	var chip	14V/50V	0402
R102	1825133	Top	U	7	var chip	14V/50V	0402
R150	1620031	Top	R	9	res network	0W06 2X1K0 J	0404
R151	1430778	Top	S	9	chip res	0W06 10K J	0402
R152	1430788	Top	R	9	chip res	0W06 22K J	0402
R156	1430762	Top	V	5	chip res	0W06 2K2 J	0402
R157	1430710	Top	R	11	chip res	0W06 22R J	0402
R200	1414605	Top	S	10	chip res	0W25 0R22 J	0805
R201	1620103	Top	T	10	res network	0W06 2X22R J	0404
R202	1620043	Top	R	7	chip res	0W06 100K J	0402
R203	1430804	Top	R	7	chip res	0W06 100K J	0603
R206	1430770	Top	Q	7	chip res	0W06 100K J	0402
R207	1430770	Top	Q	7	chip res	0W06 100K J	0402
R208	1430804	Top	R	7	resistor	100k	0402
R300	1411669	Top	T	9	chip res	0W1 22R J	0805
R301	1413829	Top	P	6	chip res	0W1 10R J	0805
R420	1430268	Top	O	8	chip res	0W06 27K F 100PPM	0603
R427	1430778	Top	N	7	chip res	0W06 10K J	0402
R450	1430770	Top	O	6	chip res	0W06 4K7 J	0402
R709	1430700	Top	K	9	chip res	0W06 10R J	0402
R712	1430700	Top	J	10	chip res	0W06 10R J	0402
R721	1430796	Top	J	9	chip res	0W06 6K8 J	0402
R741	1430796	Top	K	10	chip res	0W06 4K7 J	0402
R771	1430786	Top	M	6	chip res	0W06 18K J	0402
R772	1430726	Top	M	7	chip res	0W06 100R J	0402
R773	1430700	Top	M	7	chip res	0W06 10R J	0402
R774	1430700	Top	k	7	chip res	0W06 10R J	0402
R791	1430778	Top	M	9	chip res	0W06 10K J	0402
R792	1430700	Top	M	9	chip res	0W06 10R J	0402

Item	Code	Side	X	Y	Description	Value	Type
R818	1430268	Top	H	7	chip res	0W06 27K F 100PPM	0603
R820	1430740	Top	I	7	resistor	330R	0402
R830	1430832	Top	M	8	chip res	0W06 2K7 J	0402
R831	1430734	Top	J	8	chip res	0W06 220R J	0402
C101	2320536	Top	R	8	chip cap NPO	10P J 50V	0402
C102	2320756	Top	U	8	chip cap X7R	3N3 K 50V	0402
C103	2320756	Top	U	7	chip cap X7R	3N3 K 50V	0402
C104	2320756	Top	U	7	chip cap X7R	3N3 K 50V	0402
C105	2320756	Top	U	7	chip cap X7R	3N3 K 50V	0402
C106	2320744	Top	T	8	chip cap X7R	1N0 K 50V	0402
C150	2312243	Top	U	10	chip cap X5R	4U7 K 6V3	0805
C151	2320783	Top	V	5	chip cap X7R	33N K 10V	0402
C152	2320783	Top	V	5	chip cap X7R	33N K 10V	0402
C155	2320783	Top	R	9	chip cap X7R	33N K 10V	0402
C156	2320783	Top	R	9	chip cap X7R	33N K 10V	0402
C157	2320560	Top	R	9	chip cap NPO	100P J 50V	0402
C159	2320560	Top	R	9	chip cap NPO	100P J 50V	0402
C160	2320744	Top	S	9	chip cap X7R	1N0 K 50V	0402
C161	2320481	Top	S	9	chip cap X5R	1U K 6V3	0603
C200	2320805	Top	P	10	chip cap	100N 10V	0402
C201	2320481	Top	O	10	chip cap X5R	1U K 6V3	0603
C202	2320778	Top	S	10	chip cap NPO	33P J 50V	0402
C205	2320481	Top	P	10	chip cap X5R	1U K 6V3	0603
C206	2320481	Top	Q	10	chip cap X5R	1U K 6V3	0603
C207	2320481	Top	R	8	chip cap X5R	1U K 6V3	0603
C208	2320481	Top	O	10	chip cap X5R	1U K 6V3	0603
C209	2320536	Top	R	11	chip cap	10P 50V	0402
C210	2320536	Top	R	9	chip cap	10P 50V	0402
C211	2320481	Top	Q	10	chip cap X5R	1U K 6V3	0603
C212	2320481	Top	Q	10	chip cap X5R	1U K 6V3	0603
C213	2320481	Top	Q	10	chip cap X5R	1U K 6V3	0603
C214	2320481	Top	N	10	chip cap	1U0 6.3V	0603

Item	Code	Side	X	Y	Description	Value	Type
C215	2320481	Top	R	8	chip cap X5R	1U K 6V3	0603
C218	2320805	Top	P	7	chip cap X5R	100N K 10V	0402
C219	2320139	Top	O	10	chip cap X5R	1U0 K 10V	0603
C220	2320778	Top	Q	7	chip cap X7R	1N0 K 50V	0402
C221	2320481	Top	O	10	chip cap X5R	1U0 6.3V	0603
C222	2320481	Top	N	10	chip cap X5R	1U0 6.3V	0603
C223	2320481	Top	O	9	chip cap X5R	1U0 6.3V	0603
C224	2320481	Top	N	9	chip cap X5R	1U0 6.3V	0603
C226	2320481	Top	N	8	chip cap X5R	1U0 6.3V	0603
C227	2320481	Top	N	9	chip cap	1U0 6.3V	0603
C228	2320481	Top	O	8	chip cap X5R	1U0 6.3V	0603
C229	2320481	Top	O	8	chip cap X5R	1U0 6.3V	0603
C230	2320481	Top	O	10	chip cap X5R	1U0 6.3V	0603
C231	2320481	Top	O	8	chip cap X5R	1U0 6.3V	0603
C232	2320481	Top	O	9	chip cap X5R	1U0 6.3V	0603
C234	2320481	Top	O	9	chip cap X5R	1U0 6.3V	0603
C235	2320481	Top	R	8	chip cap X5R	1U0 6.3V	0603
C236	2320805	Top	O	7	chip cap X5R	100N K 10V	0402
C237	2320805	Top	O	7	chip cap X5R	100N K 10V	0402
C238	2320805	Top	P	10	chip cap X7R	220N K 10V	0603
C239	2320805	Top	Q	7	chip cap X5R	100N K 10V	0402
C240	2320778	Top	Q	7	chip cap	10N 16V	0402
C241	2320744	Top	Q	7	chip cap NPO	22P J 50V	0402
C242	2320744	Top	Q	7	chip cap NPO	22P J 50V	0402
C243	2320481	Top	N	9	chip cap	1U0 6.3V	0603
C244	2320544	Top	R	9	chip cap	22P 50V	0402
C245	2320544	Top	R	9	chip cap	22P 50V	0402
C260	2312249	Top	P	10	chip cap	4U7 10V	0805
C261	2312249	Top	O	9	chip cap X5R	4U7 K 6V3	0805
C264	2320139	Top	R	7	chip cap X5R	1U K 6V3	0603
C302	2320779	Top	D	5	chip cap X7R	100N K 16V	0603
C303	2320805	Top	E	5	chip cap X5R	100N K 10V	0402

Item	Code	Side	X	Y	Description	Value	Type
C304	2320805	Top	E	5	chip cap X5R	100N K 10V	0402
C306	2320560	Top	V	10	chip cap NPO	100P J 50V	0402
C307	2320548	Top	V	5	chip cap	33P 50V	0402
C308	2320560	Top	V	5	chip cap	100P 50V	0402
C400	2320778	Top	R	6	chip cap X7R	10N K 16V	0402
C401	2320805	Top	R	6	chip cap X5R	100N K 10V	0402
C402	2320778	Top	P	6	chip cap X7R	10N K 16V	0402
C403	2320778	Top	P	6	chip cap X7R	10N K 16V	0402
C404	2320778	Top	Q	6	chip cap X7R	10N K 16V	0402
C405	2320778	Top	O	6	chip cap X7R	10N K 16V	0402
C420	2320744	Top	O	6	chip cap X7R	1N0 K 50V	0402
C450	2320778	Top	O	6	chip cap X7R	10N K 16V	0402
C451	2320805	Top	O	6	chip cap X5R	100N K 10V	0402
C454	2320779	Top	N	6	chip cap X7R	100N K 16V	0603
C700	2320552	Top	H	8	chip cap NPO	47P J 50V	0402
C701	2320536	Top	I	8	chip cap NPO	10P J 50V	0402
C702	2320805	Top	H	8	chip cap X5R	100N K 10V	0402
C703	2320536	Top	I	8	chip cap NPO	10P J 50V	0402
C704	2320805	Top	H	8	chip cap X5R	100N K 10V	0402
C706	2320552	Top	K	9	chip cap NPO	47P J 50V	0402
C707	2320744	Top	K	9	chip cap X7R	1N0 K 50V	0402
C708	2320481	Top	K	9	chip cap X5R	1U K 6V3	0603
C710	2320740	Top	I	9	chip cap X7R	680P K 50V	0402
C711	2320481	Top	J	10	chip cap X5R	1U K 6V3	0603
C712	2320552	Top	K	9	chip cap NPO	47P J 50V	0402
C720	2320564	Top	J	9	chip cap X7R	1N5 J 50V	0402
C721	2322023	Top	J	9	chip cap X7R	33N K 10V	0402
C740	2320564	Top	K	9	chip cap X7R	1N8 J 50V	0402
C741	2322023	Top	K	10	chip cap X7R	33N K 10V	0402
C770	2320580	Top	M	6	chip cap X7R	680P J 50V	0402
C771	2480003	Top	M	6	chip cap PPS	8N2 J 16V	0805
C772	2320495	Top	M	6	chip cap NPO	1N0 J 50V	0603

Item	Code	Side	X	Y	Description	Value	Type
C773	2320466	Top	M	7	chip cap NPO	220P J 60V	0603
C774	2320536	Top	K	7	chip cap NPO	10P J 50V	0402
C775	2320481	Top	K	7	chip cap X5R	1U K 6V3	0603
C776	2320778	Top	K	7	chip cap X7R	10N K 16V	0402
C777	2320536	Top	J	6	chip cap	10P 50V	0402
C778	2320536	Top	J	6	chip cap	10P 50V	0402
C791	2320805	Top	M	9	chip cap X5R	100N K 10V	0402
C792	2320778	Top	L	9	chip cap X7R	10N K 16V	0402
C793	2320481	Top	L	9	chip cap X5R	1U K 6V3	0603
C801	2320552	Top	I	7	chip cap NPO	47P J 50V	0402
C802	2320778	Top	I	7	chip cap X7R	10N K 16V	0402
C803	2320536	Top	I	7	chip cap NPO	10P J 50V	0402
C806	2320552	Top	K	8	chip cap NPO	47P J 50V	0402
C807	2320536	Top	J	8	chip cap NPO	10P J 50V	0402
C808	2320805	Top	K	9	chip cap X5R	100N K 10V	0402
C820	2320552	Top	J	7	chip cap NPO	47P J 50V	0402
C821	2320552	Top	J	7	chip cap NPO	47P J 50V	0402
C822	2320805	Top	K	7	chip cap X5R	100N K 10V	0402
C830	2320778	Top	M	8	chip cap X7R	10N K 16V	0402
C831	2320602	Top	M	8	chip cap NPO	4P7 C 50V	0402
C832	2320602	Top	M	8	chip cap NPO	4P7 C 50V	0402
C833	2320536	Top	K	8	chip cap NPO	10P J 50V	0402
C834	2320536	Top	K	8	chip cap NPO	10P J 50V	0402
C910	2320744	Top	H	4	chip cap X7R	1N0 K 50V	0402
C911	2320778	Top	I	5	chip cap X7R	10N K 16V	0402
C913	2320560	Top	J	5	chip cap	100P 50V	0402
C914	2320481	Top	J	5	chip cap X5R	1U K 6V3	0603
C915	2320536	Top	I	9	chip cap NPO	10P J 50V	0402
C916	2320805	Top	H	9	chip cap X5R	100N K 10V	0402
C919	2320508	Top	H	5	chip cap	1P0 50V	0402
C923	2320604	Top	H	9	chip cap	18P 50V	0402
C924	2320604	Top	J	4	chip cap	18P 50V	0402

Item	Code	Side	X	Y	Description	Value	Type
C930	2320536	Top	G	7	chip cap NPO	10P J 50V	0402
C931	2320744	Top	G	6	chip cap X7R	1N0 K 50V	0402
C960	2320536	Top	I	10	chip cap NPO	1P0 C 50V	0402
C961	2320536	Top	I	10	chip cap NPO	2P7 C 50V	0402
C971	2320536	Top	I	9	chip cap NPO	10P J 50V	0402
C972	2320805	Top	J	9	chip cap X5R	100N K 10V	0402
C975	2320560	Top	J	10	chip cap	100P 50V	0402
L100	3203743	Top	U	7	ferrite bead OR03	42R/100MHz 3A	0805
L160	3203741	Top	U	7	ferrite bead OR5	600R/100MHz	0603
L161	3203741	Top	U	7	ferrite bead OR5	600R/100MHz	0603
L162	3203741	Top	U	7	ferrite bead OR5	600R/100MHz	0603
L163	3203741	Top	U	6	ferrite bead OR5	600R/100MHz	0603
L164	3203741	Top	V	5	ferrite bead OR5	600R/100MHz	0603
L730	3645093	Top	K	9	chip coil 36 N G	Q55/500MHz	0603
L746	3645091	Top	J	9	chip coil 22N G	Q55/500MHz	0603
L820	3645211	Top	J	7	chip coil 6N8 K	Q27/250MHz	0603
L821	3646069	Top	J	7	chip coil 33N J	Q23/800MHz	0402
L822	3646063	Top	J	7	chip coil 22N J	Q28/800MHz	0402
L830	3643087	Top	M	7	chip coil 180N J	Q13/50MHz	0805
L831	3643087	Top	M	8	chip coil 180N J	Q13/50MHz	0805
L832	3645067	Top	K	8	chip coil 330N J	Q48/250MHz	0805
L903	3643085	Top	I	5	chip coil 5N6+-0N5	Q35 1.5A	0805
L960	3646083	Top	I	10	chip coil 100N J	Q16/300MHz	0402
L961	3646083	Top	I	10	chip coil 100N J	Q16/300MHz	0402
L962	3646083	Top	H	10	chip coil 100N J	Q16/300MHz	0402
L963	3646083	Top	H	10	chip coil 100N J	Q16/300MHz	0402
V100	4110028	Top	T	8	TVS DI 16V	600W 23A	DO214AA
V300	4860221	Top	K	11	LED M47CN2Q135 Blue	>45 MCD	TOPLED
V301	4860221	Top	I	11	LED M47CN2Q135 Blue	>45 MCD	TOPLED
V302	4860221	Top	K	3	LED M47CN2Q135 Blue	>45 MCD	TOPLED
V303	4860221	Top	I	3	LED M47CN2Q135 Blue	>45 MCD	TOPLED
V304	4860221	Top	N	6	LED M47CN2Q135 Blue	>45 MCD	TOPLED

Item	Code	Side	X	Y	Description	Value	Type
V305	4860221	Top	S	9	LED M47CN2Q135 Blue	>45 MCD	TOPLED
V306	4860221	Top	U	6	LED M47CN2Q135 Blue	>45 MCD	TOPLED
V308	4860221	Top	Q	6	LED M47CN2Q135 Blue	>45 MCD	TOPLED
V309	4860221	Top	N	8	LED M47CN2Q135 Blue	>45 MCD	TOPLED
N801	4370915	Top	I	8	Taco 3.1 TZC8CRTT		TFBGA108
N901	4350401	Top	I	5	Pw Amp	RF9270	TDMA800
N930	4350407	Top	G	6	Pwr Detector Module	800MHz	2.7V
D200	4370825	Top	P	9	UEMK W-DOG ENA	TO21	TFBGA168
D400	4370811	Top	Q	5	UPP V2.4 F741809C	C05 ANAM	UBG
D450	4341321	Top	O	5	NOR Flash DCT4 16MBIT	40MHz	
G780	4350279	Top	L	6	VCO 2GHz	2.78V 10.5MA	TDMA
G790	4510307	Top	M	10	VCTCXO 19.44MHz+-	2.5PPM 2.78V	
B200	4510303	Top	R	10	Crystal 32.768KHz+-	20PPM 12.5PF	
Z301	4120031	Top	V	4	EMI/ESD Filt	EMIF10-1K010F1	BGA24
Z820	4510357	Top	J	6	Saw Filt 881.5+- 12.5MHz/	3DB	2.5X2
Z830	4511351	Top	L	8	Saw Filt 135.54+-	0.013MHz/	6X3.5MM
Z905	4511357	Top	J	4	Saw Filt 836.5+-	12.5MHz/3.0	2.5X2
Z906	4512173	Top	G	5	Dupl 824-849/	869-894MHz	5X5X1.7
Z907	4550117	Top	D	6	Dipl 824-894/1850-	1990MHz	3.2X1.6
Z960	4511353	Top	I	10	Saw Filt 180.54+-	0.015MHz	3X3MM
T775	4550153	Top	K	6	Transf Balun 2060+-	70MHz	2.0X1.25
T961	3640429	Top	I	9	Transf Balun 900MHz+-	100MHz	1206
F100	5119019	Top	U	8	Sm Fuse F	1.5A 32V	0603
S300	5209001	Top	C	9	Sm SW Tact SPST	12V 50MA	Side Key
X900	5429021	Top	C	5	Sm Conn RF+SW	100V 1W 50R	2.2GHz
A100	9510612	Top	P	7	Baseband Shield	DMD06548	HDA62_72
A900	9517071	Top	J	7	RF Shield Assy	DMC02311	HDA62_72